



JPT-S15Q

Electric Pallet Truck 1.5t

- Small size, light service weight, simple operation;
- Energy-saving and environmental, lower cost;
- More convenient for maintenance.

**ZHEJIANG JOCKY MACHINERY
TECHNOLOGY CO.,LTD**



FEATURE

■ Light Weight, Great Capacity, Great Passingability:

Light weight & compact size create excellent maneuverability & passingability. 1500KG capacity handles most applications.



■ External Control System:

The external control system not only protects controller in place but also provides easy access for maintenance.

■ Optimized Harness Layout:

Optimized wire harness layout lowers twist failure rate.

■ Front Detachable Battery Cover:

Innovative Design, Easy for Battery Replacement.

■ Emergency Switch:

Upgraded emergency switch ensures safety.

■ Cover for Driving Wheel:

Strong cover for driving wheel ensures the safety of the operator.

■ Charger:

Upper-installed Charger, Better Heat-Exhausting, Higher Charging Efficiency



▣ Attachments



■ Electric Scale



With handling and weighing combined, the electric scale optimizes the operation process and improve efficiency.



■ Cargo Backrest



Safety is the biggest concern and the cargo backrest provides falling item prevention and great safety assurance.



■ Storage Box



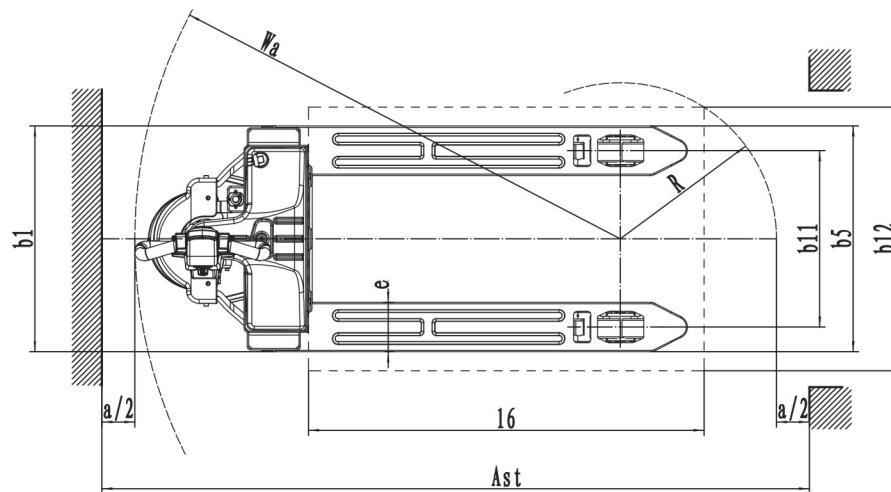
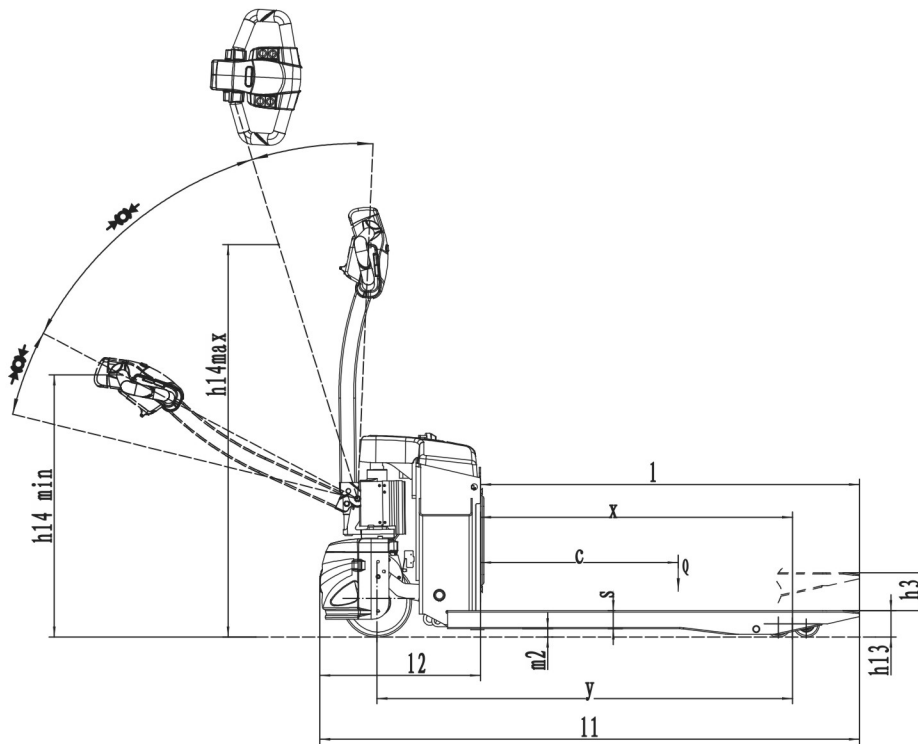
This allows to keep everything easily accessible on the go and offers more convenience for daily usage

Electric Pallet Truck 1.5t

JPT-S15Q

| | | | | | |
|---------------------|----------------|---|-----------------------|-------|-----------------|
| Distinguishing mark | 1.1 | Manufacturer | | | JUKILIFT |
| | 1.2 | Model designation | | | JPT-S15Q |
| | 1.3 | Drive | | | Electric |
| | 1.4 | Operator type | | | Pedestrian |
| | 1.5 | Load capacity | Q | kg | 1500 |
| | 1.6 | Load center distance | c | mm | 600 |
| | 1.8 | Load distance, centre of drive axle to fork | x | mm | 883/946 |
| | 1.9 | Wheelbase | y | mm | 1202/1261 |
| | Service weight | 2.1 | Service weight | | kg |
| 2.2 | | Axle loading, laden front/rear | | kg | 567/1128 |
| 2.3 | | Axle loading, unladen front/rear | | kg | 155/40 |
| Tyres/chassis | 3.1 | Tyre type | | | Polyurethane |
| | 3.2.1 | Tyre size, front | | mm | Φ210x70 |
| | 3.3.1 | Tyre size, rear | | mm | Φ80x61 |
| | 3.4 | Additional wheels (castor wheels) | | mm | — |
| | 3.5 | Wheels, number front/rear (x=drive wheels) | | mm | 1x, —/4 |
| | 3.6.1 | Tread width, front | b10 | mm | — |
| | 3.7.1 | Tread width, rear | b11 | mm | 410(535) |
| Dimensions | 4.4 | Lift height | h3 | mm | 115 |
| | 4.9 | Height of tiller handle in drive position min./max. | h14 | mm | 750/1170 |
| | 4.15 | Lowered height | h13 | mm | 80 |
| | 4.19 | Overall length | l1 | mm | 1638 |
| | 4.20 | Length to face of forks | l2 | mm | 488 |
| | 4.21 | Overall width | b1/b2 | mm | 560(685) |
| | 4.22 | Fork dimensions | s/e/l | mm | 50/150/1150 |
| | 4.25 | Distance between fork-arms | b5 | mm | 560(685) |
| | 4.32 | Ground clearance, center of wheelbase | m2 | mm | 30 |
| | 4.34.1 | Aisle width for pallets 1000×1200 crossways | Ast | mm | 2280 |
| | 4.34.2 | Aisle width for pallets 800×1200 crossways | Ast | mm | 2150 |
| 4.35 | Turning radius | Wa | mm | 1475 | |
| Performance data | 5.1 | Travel speed, laden/unladen | | km/ h | 4.5/5 |
| | 5.2 | Lifting speed, laden/unladen | | m/s | 0.027/0.038 |
| | 5.3 | Lowering speed, laden/unladen | | m/s | 0.059/0.039 |
| | 5.8 | Max. gradeability, laden/unladen | | % | 5/16 |
| | 5.10 | Service brake | | | Electromagnetic |
| Electric-engine | 6.1 | Drive motor rating S2 60 min | | kW | 0.75 |
| | 6.2 | Lift motor rating at S3 15% | | kW | 0.84 |
| | 6.4 | Battery voltage/nominal capacity | | V/Ah | 24/65 |
| | 6.5 | Battery weight | | kg | 14.15x2 |
| | Addition data | 8.1 | Type of drive control | | |
| 10.5 | | Steering design | | | Mechanical |
| 10.7 | | Sound pressure level at the driver's ear | | dB(A) | 74 |

If there are improvements of technical parameters or configurations, no further notice will be given.
The diagram shown may contain non-standard configurations.



Option

| No. | Optional items | JPT-S15Q |
|------|--------------------------|---|
| 1.1 | Fork length | ● 1150○ 800-2000 |
| 1.2 | Fork width | ● 560○ 685○ 520○ 460○ 420○ 600 |
| 1.3 | Fork lowered height | ● 80○ 60 |
| 2.1 | Load wheel type | ● Double○ Single |
| 2.2 | Load wheel material | ● PU○ Trace PU |
| 2.3 | Drive wheel material | ● PU |
| 2.7 | Battery capacity | ● 65Ah○ 85Ah |
| 2.8 | Charger | ● 24V-10A Internal |
| 2.9 | Battery indicator | ● With time |
| 2.11 | Attachments | ● No○ Electric scale○ Storage box○ Cargo backrest |
| 2.17 | Tiller | ● Normal○ 75mm shorter |
| 3.3 | Castor wheels | ● No○ Yes and not customized |
| 3.16 | Vertical handler working | ● No○ Yes and not customized |

Note: ● Standard ○ Optional - Inconformity