



# JEF-F18/20

Li-ion 4-wheel dual drive counterbalance  
forklift 1.8/2.0T

- Dual drive motors for powerful performance
- Lithium technology with integrated charger
- Compact size for maneuvering with ease
- Enhanced mast with optimal visibility and stability

**LI-ION**  
TECHNOLOGY

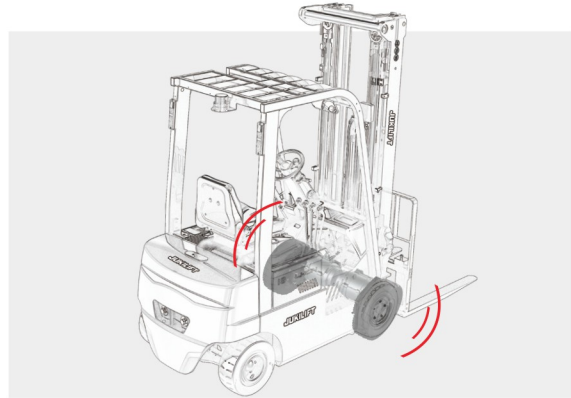
**ZHEJIANG JOCKY MACHINERY  
TECHNOLOGY CO.,LTD**



## FEATURE

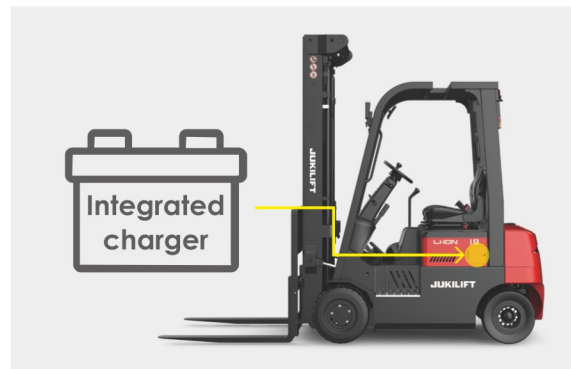
### ■ Dual drive motors for powerful performance

The JEF-F series is equipped with 80V 2\*5.0kW dual drive motors and able to accelerate super fast, which contributes strong drive power to facilitate a productive operational environment.



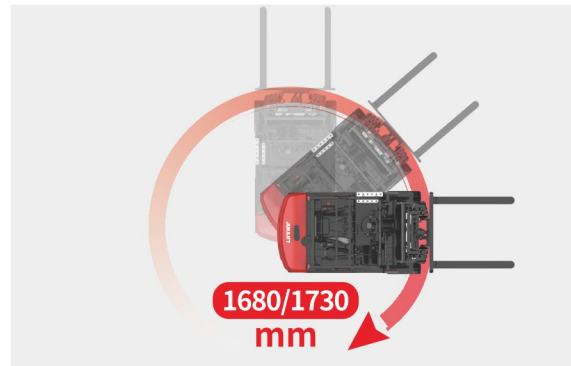
### ■ Lithium technology with integrated charger

The JEF-F series is fully designed around the advantages of lithium technology, equipped with 80V/205Ah Li-ion battery and 80V/35A integrated charger as standard. It fits in multiple-shift operation thanks to opportunity charging and the absolutely maintenance free battery.



### ■ Compact size for maneuvering with ease

The compact JEF-F series features a small turning radius, 1680mm of the JEF-F18 and 1730 mm of the JEF-F20, and allows for great maneuverability in confined space.



### ■ Enhanced mast with optimal visibility and stability

The JEF-F series adopts the same high-strengthened mast as JEF-F20, offering the best all-around visibility and great stability with less wobbling even when fully loaded.

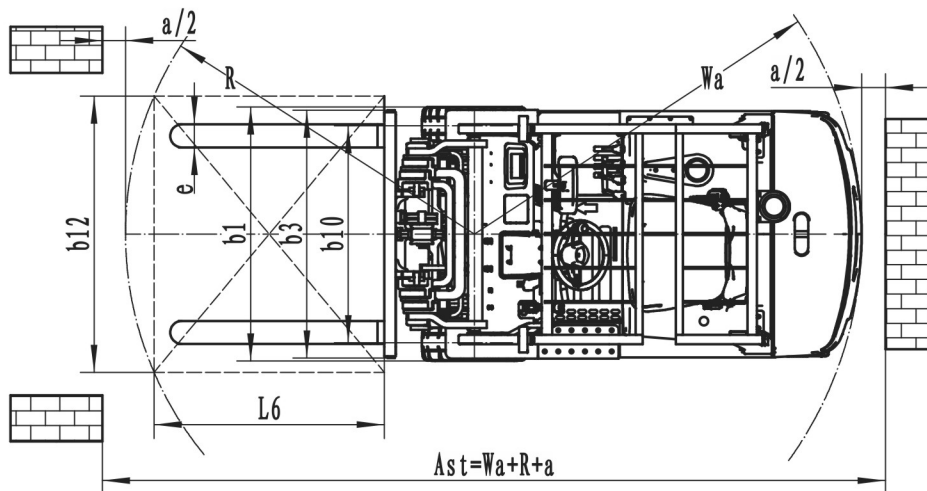
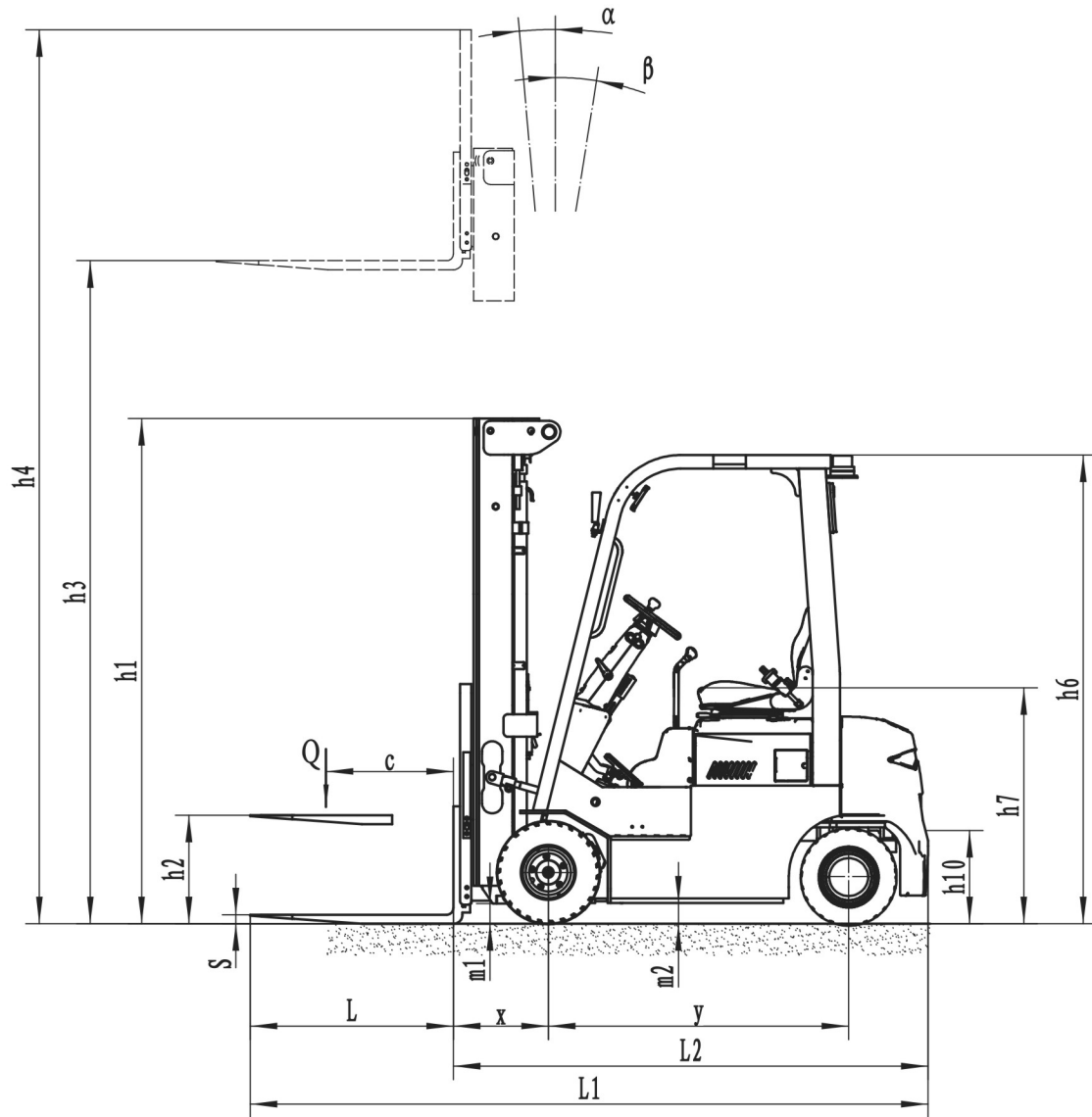


# Li-ion 4-wheel dual drive counterbalance forklift 1.8/2.0T

## JEF-F18/20

Distinguishing mark	1.1	Manufacturer			JUKILIFT	JUKILIFT
	1.2	Model designation			JEF-F18	JEF-F20
	1.3	Drive			Electric	Electric
	1.4	Operator type			Seated	Seated
	1.5	Load capacity	Q	kg	1800	2000
	1.6	Load center distance	c	mm	500	500
	1.8	Load distance , centre of drive axle to fork	x	mm	420	420
	1.9	Wheelbase	y	mm	1330	1330
	Service weight	2.1	Service weight		kg	3160
2.2		Axle loading, laden front/rear		kg	4319/641	4646/624
2.3		Axle loading, unladen front/rear		kg	1272/1888	1260/2010
Tyres/chassis	3.1	Tyre type			Solidrubber	Solidrubber
	3.2	Tyre size, front			18X7-8	200/50-10
	3.3	Tyre size, rear			16X6-8	16X6-8
	3.5	Wheels, number front/rear (x=drive wheels)		mm	2X2	2X2
	3.6	Tread width, front	b10	mm	943	969
	3.7	Tread width, rear	b11	mm	890	890
Dimensions	4.1	Tilt of mast/fork carriage forward/backward	$\alpha/\beta$	°	6/6	6/6
	4.2	Retracted mast height	h1	mm	2075	2075
	4.3	Free lift	h2	mm	100	100
	4.4	Lift height	h3	mm	3000	3000
	4.5	Height, mast extended	h4	mm	4055	4055
	4.7	Height of overhead guard (cabin)	h6	mm	2078	2078
	4.8	Seat height/standing height	h7	mm	1050	1050
	4.12	Tow coupling height	h10	mm	600	600
	4.19	Overall length	l1	mm	3020	3070
	4.20	Length to face of forks	l2	mm	2100	2150
	4.21	Overall width	b1/b2	mm	1070	1170
	4.22	Fork dimensions	s/e/l	mm	100X40X920	122X40X1070
	4.23	A,B Fork carriage class/type A, B			2A	2A
	4.24	Fork carriage width	b3	mm	1040	1040
	4.31	Ground clearance, laden, below mast	m1	mm	89	89
	4.32	Ground clearance, center of wheelbase	m2	mm	92	92
	4.34.1	Aisle width for pallets 1000×1200 crossways	Ast	mm	3422	3472
4.34.2	Aisle width for pallets 800×1200 lengthways	Ast	mm	3548	3598	
4.35	Turning radius	Wa	mm	1680	1730	
Performance data	5.1	Travel speed, laden/unladen		km/h	13/14	13/14
	5.2	Lifting speed, laden/unladen		m/s	0.33/0.45	0.33/0.45
	5.3	Lowering speed, laden/unladen		m/s	0.4/0.44	0.4/0.44
	5.5	Drawbar pull, laden/unladen		N	—	—
	5.6	Max. drawbar pull, laden/unladen		N	—	—
	5.8	Max. gradeability, laden/unladen		%	10/15	10/15
	5.10	Service brake			Hydraulic	Hydraulic
5.11	Parking brake			Mechanical	Mechanical	
Electric-engine	6.1	Drive motor rating S2 60 min		kW	5.0X2	5.0X2
	6.2	Lift motor rating at S3 15%		kW	11	11
	6.4	Battery voltage/nominal capacity		V/Ah	80V/205AH	80V/205AH
	6.5	Battery weight		kg	—	—
Addition data	8.1	Type of drive control			AC	AC
	10.5	Steering design			Hydraulic	Hydraulic
	10.7	Sound pressure level at the driver's ear		dB(A)	70	70

If there are improvements of technical parameters or configurations, no further notice will be given.  
The diagram shown may contain non-standard configurations.



## Mast Option

Mast types	Lift height (h3)	Height, Mast			Height, Free lift(h2)	
		Height, mast lowered(h1)	Height, mast extended(h4)		No backrest	With backrest
	No backrest		With backrest	mm		
2-Standard Mast	3000	2075	3740	4055	100	100
	3600	2375	4340	4655	100	100
	4000	2455	4740	5055	100	100
3-Free Mast	4500	2140	5240	5555	1430	1115
	4800	2240	5540	5855	1530	1215
	5000	2305	5740	6055	1595	1280
	5500	2475	6240	6555	1765	1450
	6000	2690	6740	7055	1980	1665

## Option

No.	Optional items	JEF-F18
1.1	Fork dimension	●100*40*920○100*40*1070○100*40*1100○100*40*1150 ○100*40*1220○100*40*1370○100*40*1520○100*40*1800
1.4	Fork carriage width	●1040mm○Yes and can be customized
1.5	Fork carriage height	●1067mm (42in) ○1220mm (48in) ○1520mm (60in) ○Yes and can be customized
2.5	Front wheel material	●Solid○Non-marking solid
2.6	Rear wheel material	●Solid○Non-marking solid
2.7	Battery capacity	●205Ah
2.8	Charger	●80V-35A single-phase integrated ○80V-60A 3-phase integrated ○80V-35A single-phase external ○80V-65A 3-phase external ○80V-100A 3-phase external
2.9	Battery indicator	●With time
2.10	Seat type	○Regular●Premium○Suspension○Suspension+seatbelt logic switch
2.11	Attachments	●No○Built-in sideshifter○External shifter○Fork positioner
2.13	Traction pin	●Yes
2.14	Electrostatic chain	●Yes
3.5	Front lamp	●LED
3.6	Rear lamp	●No○LED
3.7	Warning lamp	●Yes
3.8	Steering lamp	●Yes
3.9	Blue lamp	●No○2 front○1 rear○2 front + 1 rear
3.10	Area warning lamp	●No○1 left + 1 right (Red)
3.11	Rearview mirror	●1 in the middle○Add 1 rearview mirror on both sides
3.12	Buzzer	●Yes
3.17	OPS system	●Yes
3.23	Telematics	●No○Yes and not customized
4.3	Cabin	●No○Basic semi-enclosed cabin○Upgrade semi-enclosed cabin○Full cabin
4.9	Heater	●No○Yes and not customized

Note: ●Standard ○ Optional - Inconformity

No.	Optional items	JEF-F20
1.1	Fork dimension	●122*40*1070○122*40*920○122*40*1150○122*40*1220 ○122*40*1370○122*40*1500○122*40*1600○122*40*1700 ○122*40*1820○122*40*1900○122*40*2000○122*40*2200
1.4	Fork carriage width	●1040mm○Yes and can be customized
1.5	Fork carriage height	●1067mm (42in) ○1220mm (48in) ○1520mm (60in) ○Yes and can be customized
2.5	Front wheel material	●Solid○Non-marking solid
2.6	Rear wheel material	●Solid○Non-marking solid
2.7	Battery capacity	●205Ah
2.8	Charger	●80V-35A single-phase integrated ○80V-60A 3-phase integrated ○80V-35A single-phase external ○80V-65A 3-phase external ○80V-100A 3-phase external
2.9	Battery indicator	●With time
2.10	Seat type	○Regular●Premium○Suspension○Suspension+seatbelt logic switch
2.11	Attachments	●No○Built-in sideshifter○External shifter○Fork positioner
2.13	Traction pin	●Yes
2.14	Electrostatic chain	●Yes
3.5	Front lamp	●LED
3.6	Rear lamp	●No○LED
3.7	Warning lamp	●Yes
3.8	Steering lamp	●Yes
3.9	Blue lamp	●No○2 front○1 rear○2 front +1 rear
3.10	Area warning lamp	●No○1 left + 1 right (Red)
3.11	Rearview mirror	●1 in the middle○Add 1 rearview mirror on both sides
3.12	Buzzer	●Yes
3.17	OPS system	●Yes
3.23	Telematics	●No○Yes and not customized
4.3	Cabin	●No○Basic semi-enclosed cabin○Upgrade semi-enclosed cabin○Full cabin
4.9	Heater	●No○Yes and not customized

Note: ●Standard ○ Optional - Inconformity